

EC 机翼形塑料叶片轴流风机
EC Plastic Airfoil Blade Axial Fan

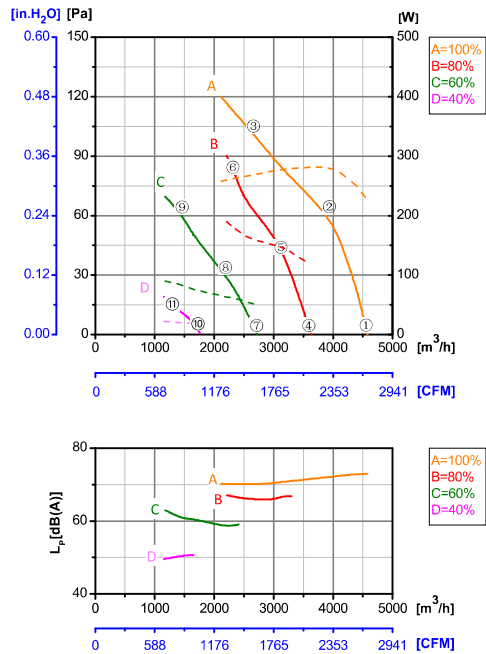
ErP2015
EXCEEDS THE NORM



Φ 420

转子材质 Rotor Material: 碳钢 Carbon steel
风叶材质 Blade Material: 塑料 Plastic
防护等级 Ingress Protection: IP54
绝缘等级 Insulation Class: F
轴承类型 Bearing Type: 免维护滚珠球轴承
Maintenance free ball bearing

性能曲线 Performance Curves

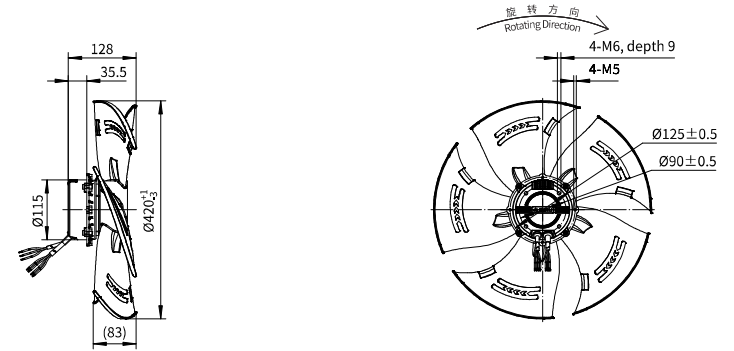


测试节点 Test Point	转速 Speed rpm	输入功率 Input Power W
1	1598	224
2	1583	284
3	1450	270
4	1282	117
5	1277	145
6	1282	177
7	962	49
8	964	64
9	960	83
10	644	17
11	643	21
12	/	/

Erp2015 Data:
Efficiency $\eta_{statA} = 31.3\%$
Efficiency grade $N_{actual} = 41.2, N_{target} = 40$
Test report No. : L-20210302 -004-072

产品型号 Model No.	电压 Voltage	频率 Frequency	转速 Speed	输入功率 Input Power	电流 Current	运行温度 Working temp.	认证 Approvals
	VAC	Hz	RPM	W	A	Min/Max (°C)	
EC92-A420-002	1~220/230	50/60	1600	260	1.81	-20/+60	CCC, CE

风机本体 Type A



D型网罩 Type D

