

EC 机翼形塑料叶片轴流风机
EC Plastic Airfoil Blade Axial Fan

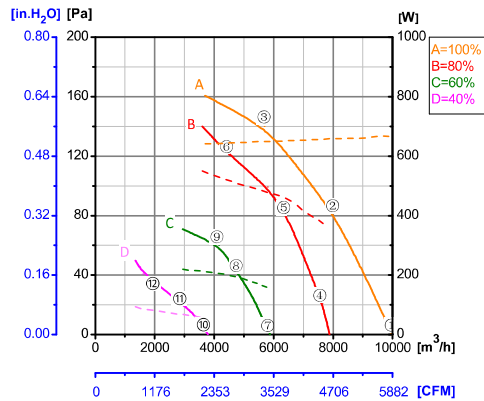
Erp2015
EXCEEDS THE NORM



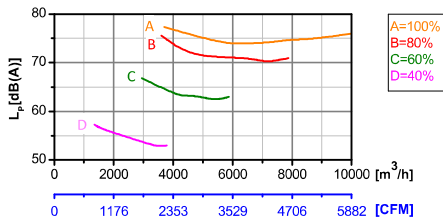
Φ 500

转子材质 Rotor Material: 碳钢 Carbon steel
风叶材质 Blade Material: 塑料 Plastic
防护等级 Ingress Protection: IP54
绝缘等级 Insulation Class: F
轴承类型 Bearing Type: 免维护滚珠轴承
Maintenance free ball bearing

性能曲线 Performance Curves



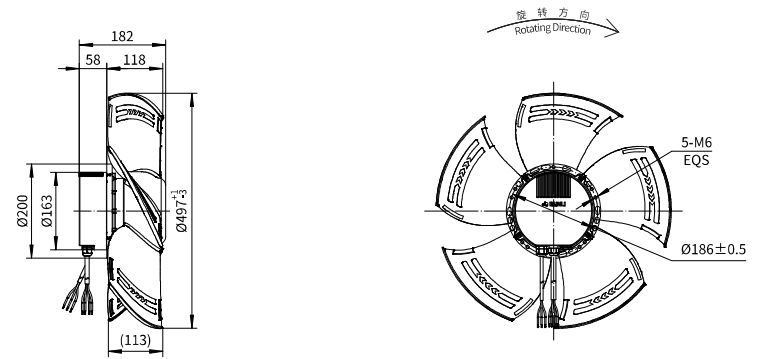
测试节点 Test Point	转速 Speed rpm	输入功率 Input Power W
1	1560	666
2	1443	659
3	1360	650
4	1251	346
5	1254	462
6	1251	516
7	937	156
8	937	194
9	937	207
10	624	54
11	624	67
12	625	85



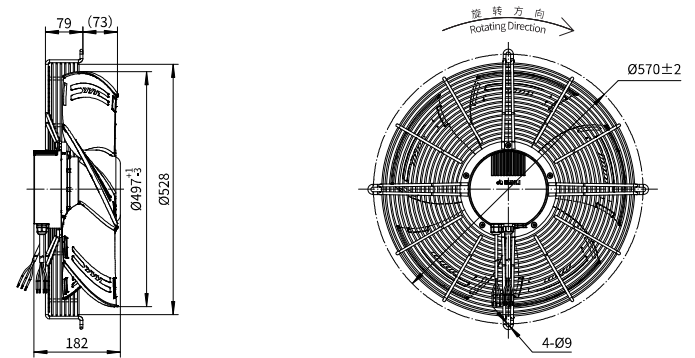
Erp2015 Data:
Efficiency η_{statA} = 37.5%
Efficiency grade N_{actual} = 45, N_{target} = 40
Test report No. : L-20210302 -004-054

产品型号 Model No.	电压 Voltage	频率 Frequency	转速 Speed	输入功率 Input Power	电流 Current	运行温度 Working Temp.	认证 Approvals
	VAC	Hz	RPM	W	A	Min/Max (°C)	
EC137-A500-005	1~220/230	50/60	1600	700	4.21	-20/+60	CCC, CE

风机本体 Type A



D型网罩 Type D



F型面板 Type F

