

EC 高效塑料叶轮后倾离心风机
EC High-efficiency Backward Curved Centrifugal Fan

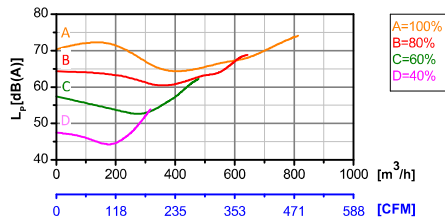
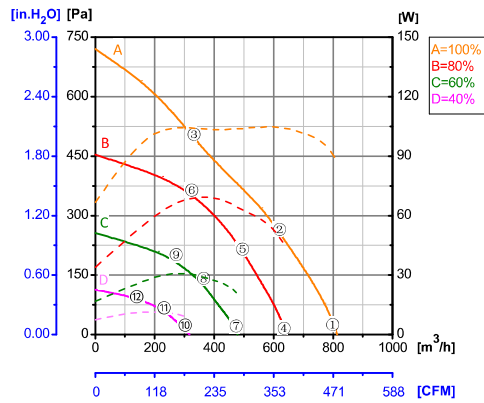
Erp2015
EXCEEDS THE NORM



Φ 175

转子材质 Rotor Material: 碳钢 Carbon steel
 叶轮材质 Impeller Material: 塑料 Plastic
 防护等级 Ingress Protection: IP44
 绝缘等级 Insulation Class: F
 轴承类型 Bearing Type: 免维护滚珠轴承
 Maintenance free ball bearing

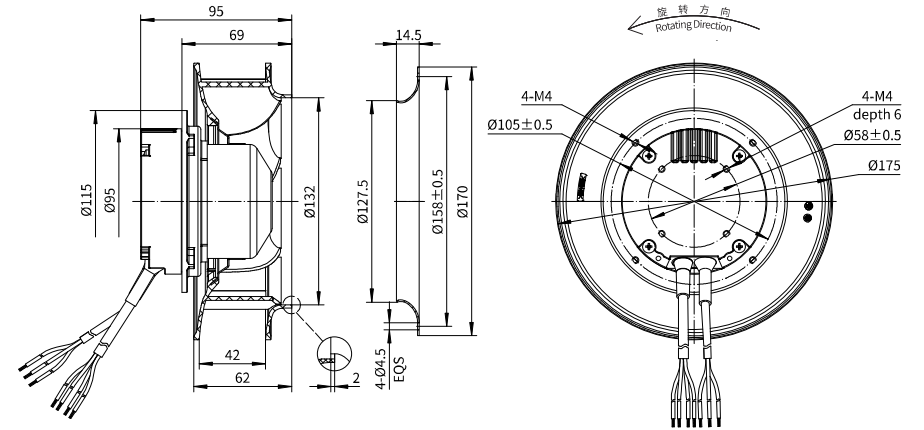
性能曲线 Performance Curves



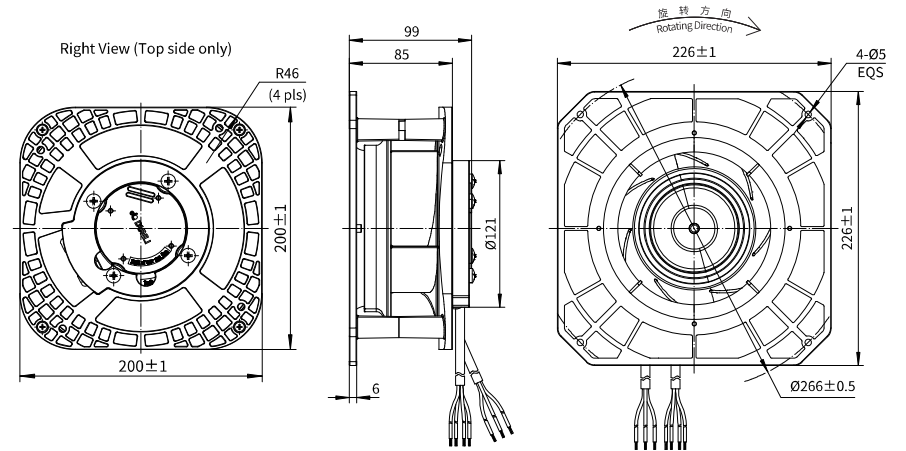
测试节点 Test Point	转速 Speed rpm	输入功率 Input Power W
1	4458	88
2	4269	105
3	4082	104
4	3563	43
5	3572	62
6	3568	70
7	2668	21
8	2682	29
9	2668	31
10	1773	9
11	1774	11
12	1774	11

Erp2015 Data:
 Efficiency η_{statA} =56%
 Efficiency grade N_{actual} =76.9, N_{target} =62
 Test report No. : L-20210302 -005-002

后倾离心风机 Motorized Backward Curved Impeller



带支架 With Supporting Rack



高效塑料叶轮后倾离心
High-efficiency B/C Centrifugal

产品型号 Model No.	电压 Voltage	频率 Frequency	转速 Speed	输入功率 Input Power	电流 Current	运行温度 Working Temp.	认证 Approvals
	VAC	Hz	RPM	W	A	Min/Max (°C)	
EC72-B175-005	1~220/230	50/60	4500	90	0.62	-20/+60	CCC, CE