



常规金属叶片轴流风机
Conventional Carbon Steel Blade Axial Fan

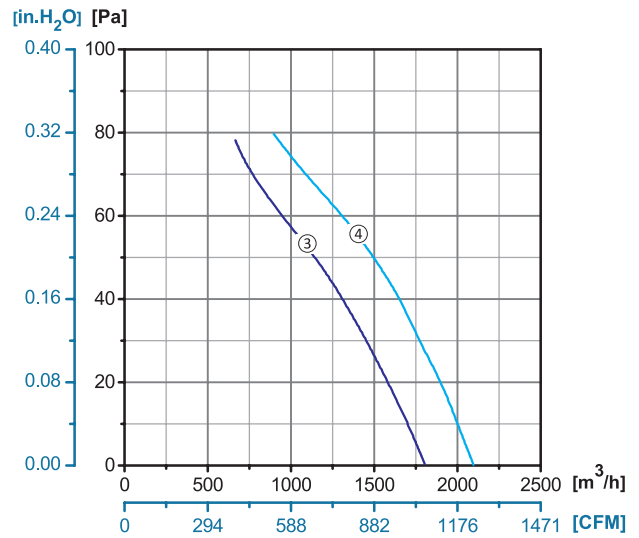
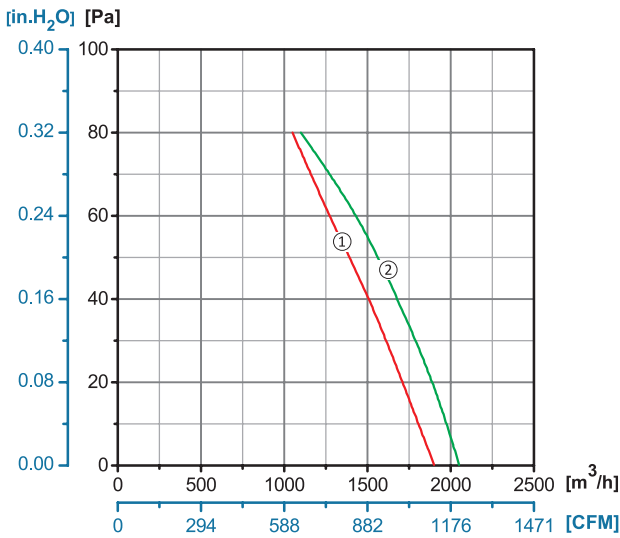
ErP2015
EXCEEDS THE NORM








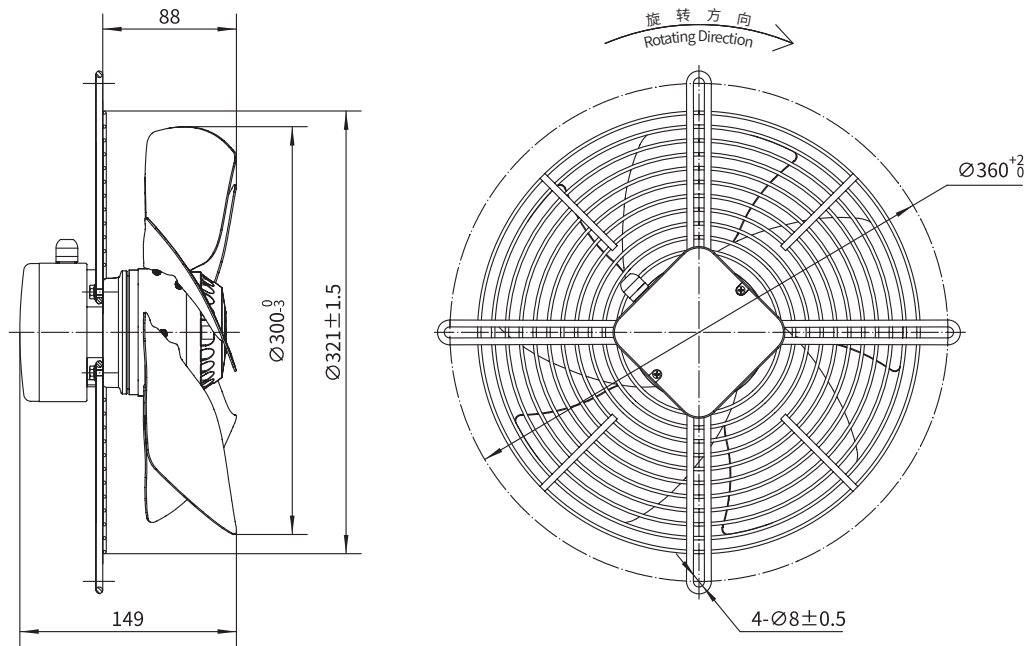
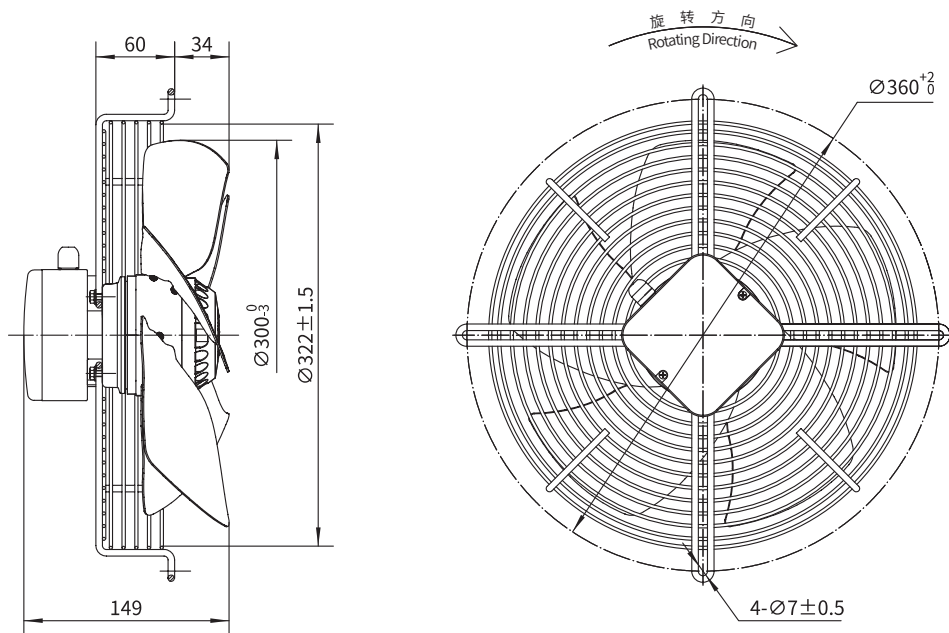
Φ300


转子材质 Rotor Material: 铸铝 Aluminum Die-casting
 叶轮材质 Impeller Material: 碳钢 Carbon Steel
 防护等级 Ingress Protection: IP44
 绝缘等级 Insulation Class: F
 轴承类型 Bearing Type: 免维护滚珠球轴承
 Maintenance Free Ball Bearing

性能曲线 Performance Curves



 Type B	 Type C	 Type D	 Type E	 Type F0
YWF.A2S-300S-5B A00	YWF.A2S-300S-5C A00	YWF.A2S-300S-5D A00	YWF.A2S-300S-5E A00	YWF.A2S-300S-5F A00
YWF.A4S-300S-5B A00	YWF.A4S-300S-5C A00	YWF.A4S-300S-5D A00	YWF.A4S-300S-5E A00	YWF.A4S-300S-5F A00
YWF.A4T-300S-5B A00	YWF.A4T-300S-5C A00	YWF.A4T-300S-5D A00	YWF.A4T-300S-5E A00	YWF.A4T-300S-5F A00
YWF.A2S-300S-5B A05	YWF.A2S-300S-5C A05	YWF.A2S-300S-5D A05	YWF.A2S-300S-5E A05	YWF.A2S-300S-5F A05
YWF.A4S-300S-5B A05	YWF.A4S-300S-5C A05	YWF.A4S-300S-5D A05	YWF.A4S-300S-5E A05	YWF.A4S-300S-5F A05

B 型网罩 Type B

C 型网罩 Type C


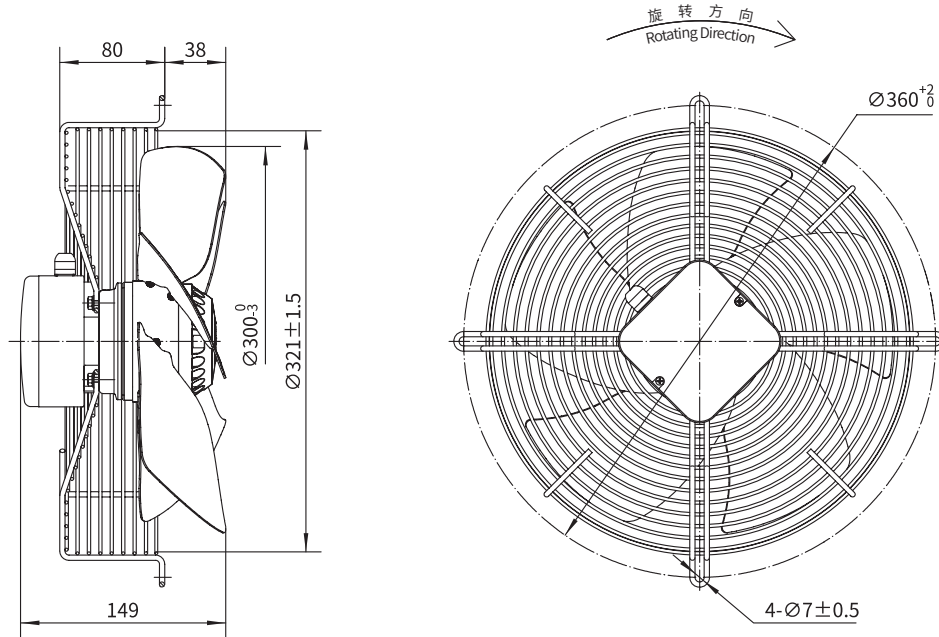
	电压 Voltage	频率 Frequency	电流 Current	功率 Power	转速 Speed	电容 Capacitor	风量 Air Flow (0 Pa)	噪音 Noise	曲线 Curve	运行温度 Working Temp.	认证 Approvals
Type F1	V	Hz	A	W	RPM	μF	$[\text{m}^3/\text{h}]/[\text{CFM}]$	dB(A)	No.	Min/Max($^{\circ}\text{C}$)	
/	220/230	50	0.50	110	2500	4	1900/1117	61	①	-30/+60	CCC, CE
/	220/230	60	0.70	156	2600	4	2050/1205	62	②	-30/+60	CCC, CE
/	220/230	50	0.42	90	1350	3	1800/1058	52	③	-30/+60	CCC, CE
/	220/230	60	0.48	110	1600	3	2100/1235	55	④	-30/+60	CCC, CE
/	380/400	50	0.25	90	1400	/	1850/1088	53	③	-30/+60	CCC, CE
/	380/400	60	0.23	110	1620	/	2100/1235	56	④	-30/+60	CCC, CE
/	110/120	60	1.35	155	2700	14	2100/1235	68	②	-30/+60	UL
/	110/120	60	0.78	90	1600	10	2100/1235	55	④	-30/+60	UL



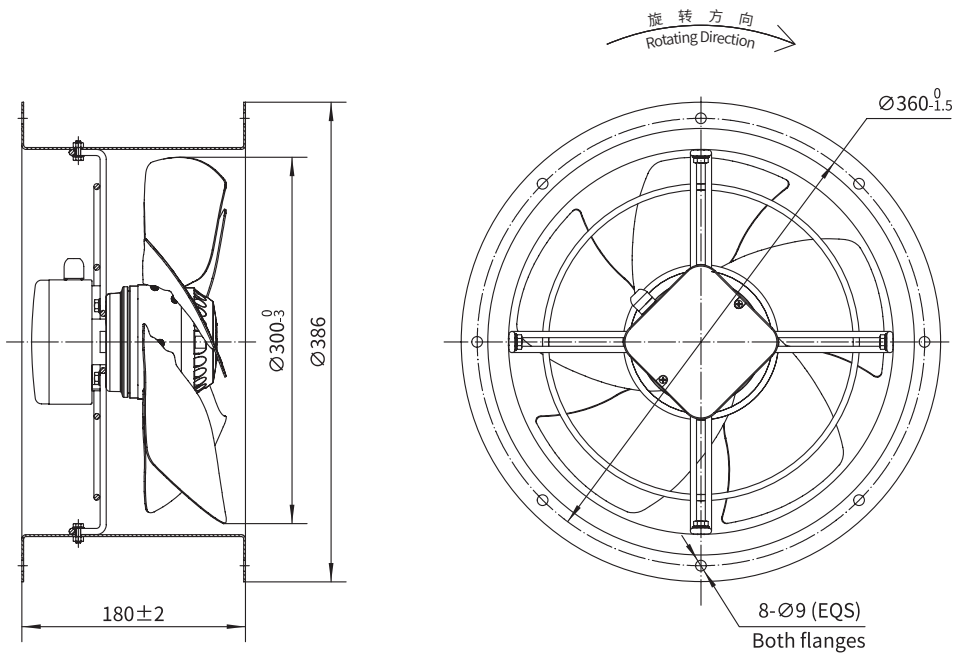
常规金属叶片轴流风机
Conventional Carbon Steel Blade Axial Fan

Φ300

D 型网罩 Type D



E 型导风筒 Type E

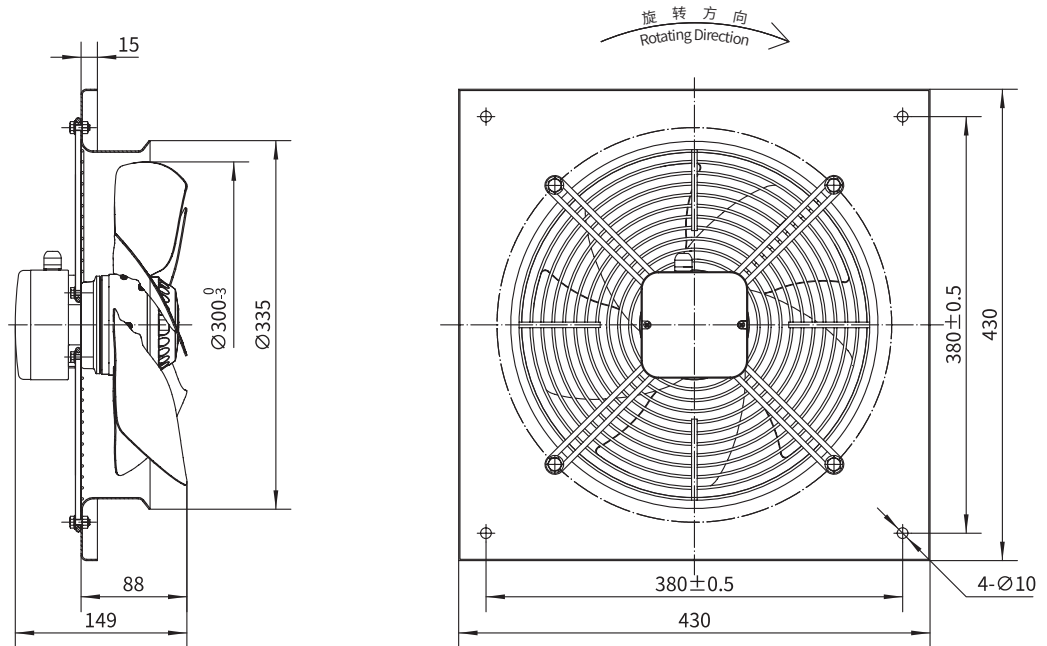




常规金属叶片轴流风机
Conventional Carbon Steel Blade Axial Fan

Φ300

F0 型面板 Type F0



常规金属叶片轴流风机
Conv. Steel Blade Axial