



机翼形塑料叶片轴流风机
Plastic Airfoil Blade Axial Fan

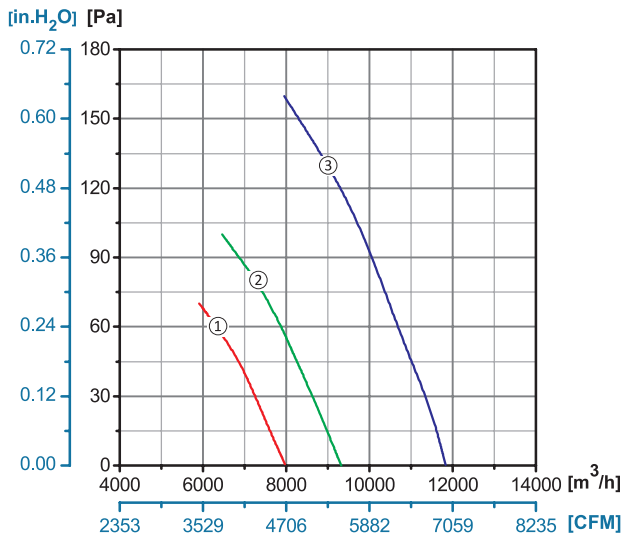
ErP2015
EXCEEDS THE NORM








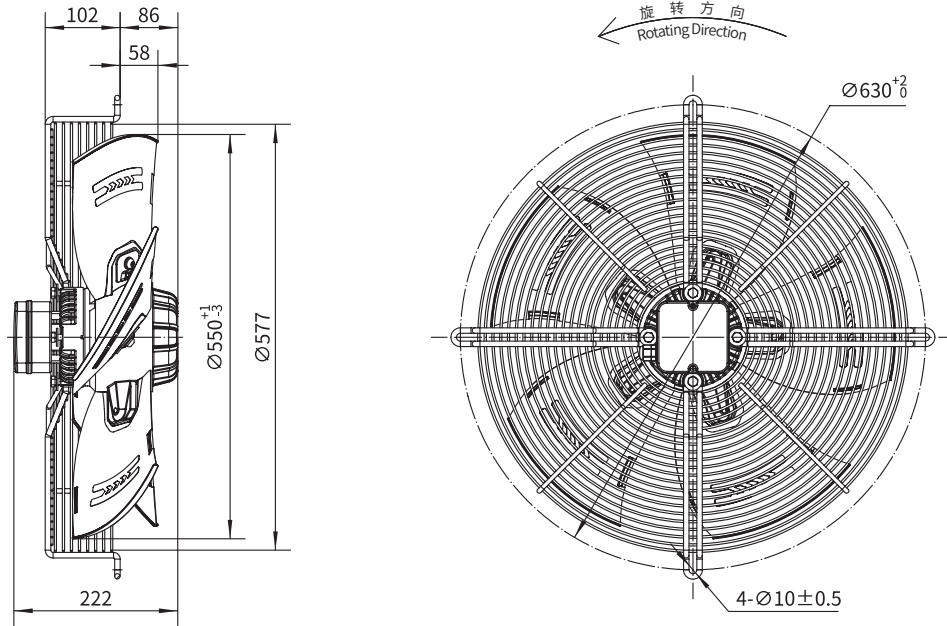
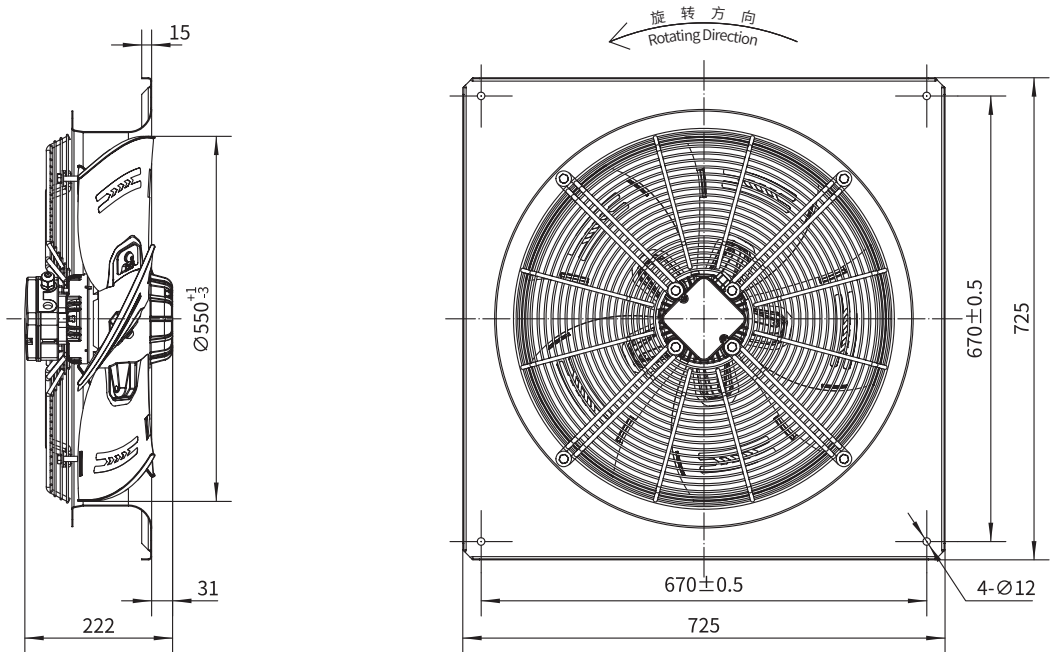
Φ560

转子材质 Rotor Material: 铸铝 Aluminum Die-casting
 叶轮材质 Impeller Material: 塑料 Plastic
 防护等级 Ingress Protection: IP54
 绝缘等级 Insulation Class: F
 轴承类型 Bearing Type: 免维护滚珠球轴承
 Maintenance Free Ball Bearing

性能曲线 Performance Curves



|  |  |  |  |  |
|---|---|---|--|---|
| Type B | Type C | Type D | Type E | Type F0 |
| YWF.A4T-560S-5B AP0 | YWF.A4T-560S-5C AP0 | YWF.A4T-560S-5D AP0 | YWF.A4T-560S-5E AP0 | YWF.A4T-560S-5F AP0 |
| YWF.A6S-560S-5B AP0 | YWF.A6S-560S-5C AP0 | YWF.A6S-560S-5D AP0 | YWF.A6S-560S-5E AP0 | YWF.A6S-560S-5F AP0 |
| YWF.A6T-560S-5B AP0 | YWF.A6T-560S-5C AP0 | YWF.A6T-560S-5D AP0 | YWF.A6T-560S-5E AP0 | YWF.A6T-560S-5F AP0 |

B 型网罩 Type B

F1 型面板 Type F1


|  | 电压 Voltage | 频率 Frequency | 电流 Current | 功率 Power | 转速 Speed | 电容 Capacitor | 风量 Air Flow (0 Pa) | 噪音 Noise | 曲线 Curve | 运行温度 Working Temp. | 认证 Approvals |
|---|---------------|-----------------|---------------|-------------|-------------|-----------------|---------------------------|-------------|-------------|-----------------------|-----------------|
| Type F1 | V | Hz | A | W | RPM | µF | [m ³ /h]/[CFM] | dB(A) | No. | Min/Max(°C) | |
| YWF.A4T-560S-5F AP1 | 380/400 | 50 | 1.8 | 950 | 1340 | / | 12000/7060 | 74 | ③ | -30/+60 | CCC, CE |
| YWF.A6S-560S-5F AP1 | 220/230 | 50 | 2.04 | 380 | 930 | 12 | 7950/4676 | 65 | ① | -30/+60 | CCC, CE |
| | 220/230 | 60 | 2.52 | 550 | 1060 | 12 | 9270/5453 | 69 | ② | -30/+60 | CCC, CE |
| YWF.A6T-560S-5F AP1 | 380/400 | 50 | 1.36 | 380 | 940 | / | 7970/4688 | 65 | ① | -30/+60 | CCC, CE |
| | 380/400 | 60 | 1.26 | 530 | 1080 | / | 9330/5488 | 70 | ② | -30/+60 | CCC, CE |