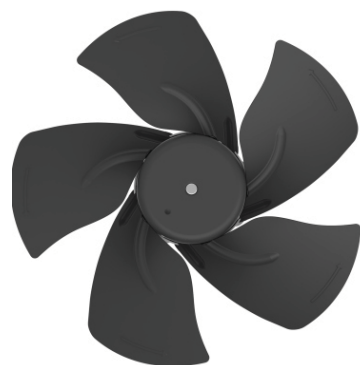


EC 常规金属叶片轴流风机
EC Conventional Carbon Steel Blade Axial Fan

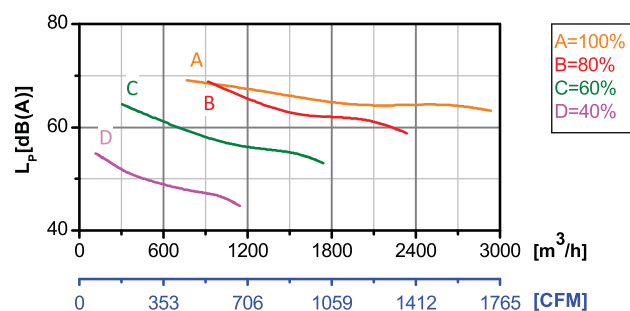
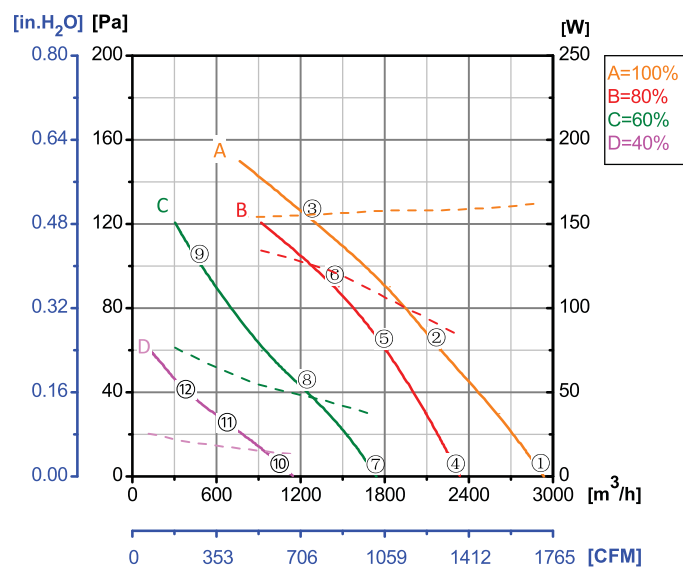
ErP2015
EXCEEDS THE NORM



Φ 300

转子材质 Rotor Material: 碳钢 Carbon steel
风叶材质 Blade Material: 碳钢 Carbon steel
防护等级 Ingress Protection: IP44
绝缘等级 Insulation Class: F
轴承类型 Bearing Type: 免维护滚珠球轴承
Maintenance free ball bearing

性能曲线 Performance Curves

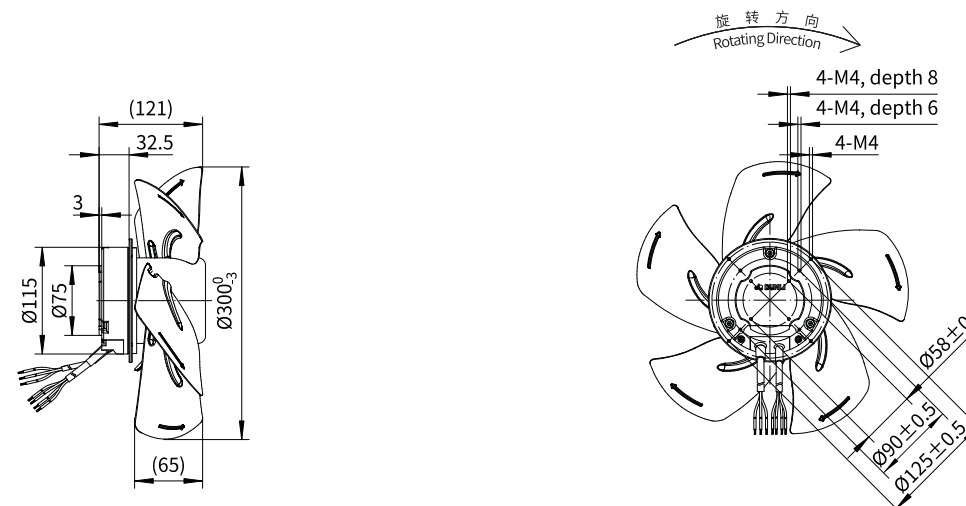


测试节点 Test Point	转速 Speed rpm	输入功率 Input Power W
1	2234	162
2	2051	158
3	1907	156
4	1786	83
5	1788	105
6	1789	134
7	1339	36
8	1342	48
9	1342	69
10	893	13
11	896	16
12	895	23

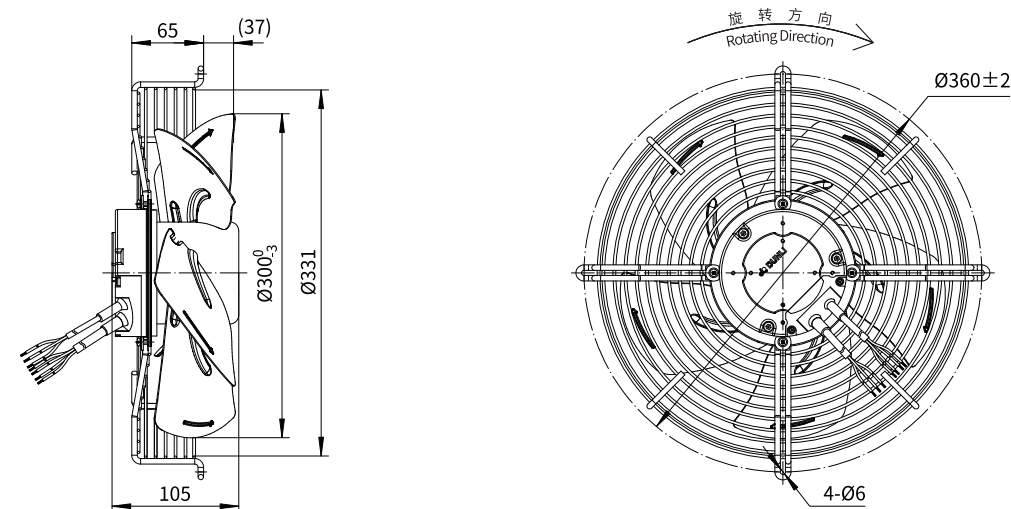
Erp2015 Data:
Efficiency η_{statA} = 33.2%
Efficiency grade N_{actual} = 44.6, N_{target} = 40
Test report No. : L-20210302-004-020

产品型号 Model No.	电压 Voltage VAC	频率 Frequency Hz	转速 Speed RPM	输入功率 Input Power W	电流 Current A	运行温度 Working Temp. Min/Max (°C)	认证 Approvals
EC92-A300-015	1~220/230	50/60	2140	180	1.41	-20/+60	CCC,CE,UL

风机本体 Type A



D 型网罩 Type D



F 型面板 Type F

